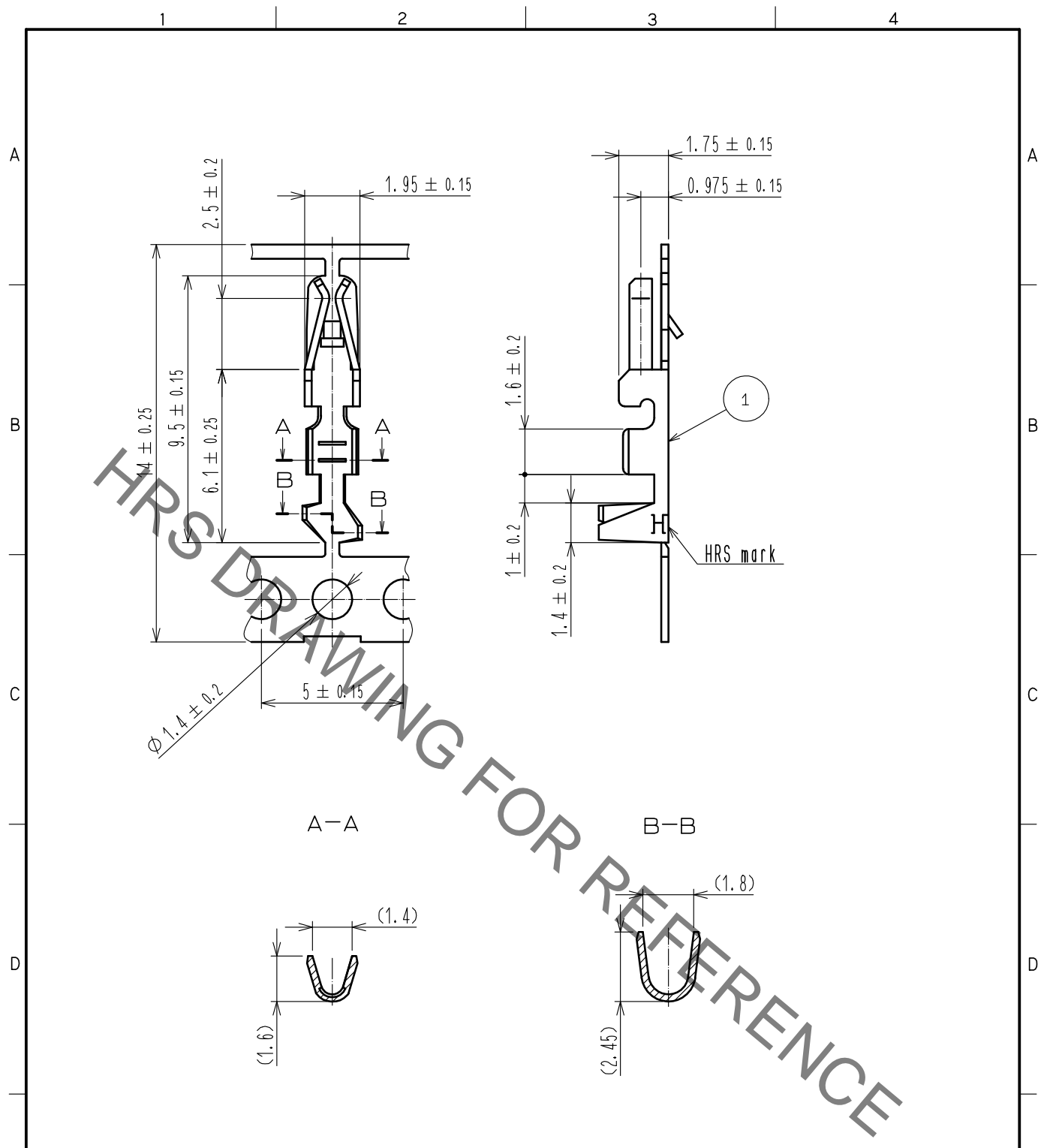


Nov.1.2021 Copyright 2021 HIROSE ELECTRIC CO., LTD. All Rights Reserved.  
 In case of consideration for using Automotive equipment / device which demand high reliability, kindly contact our sales window correspondents.



Notes 1. Applicable cable 24-28 AWG

NO.	MATERIAL	FINISH .	REMARKS	NO.	MATERIAL	FINISH .	REMARKS
				1	PHOSPHOR BRONZE	TIN PLATED	1 μm MIN

UNITS	SCALE	COUNT	DESCRIPTION OF REVISIONS	DESIGNED	CHECKED	DATE
mm	5 : 1	△				

HIROSE ELECTRIC CO., LTD.	APPROVED	HS. OKAWA	20181023	DRAWING NO.	EDC-080530-00-00	
	CHECKED	SZ. ONO	20181023	PART NO.	DF1B-2428SCF	
	DESIGNED	TS. KUMAZAWA	20181023	CODE NO.	CL541-0678-1-00	
	DRAWN	SN. MIWA	20181023		1/1	