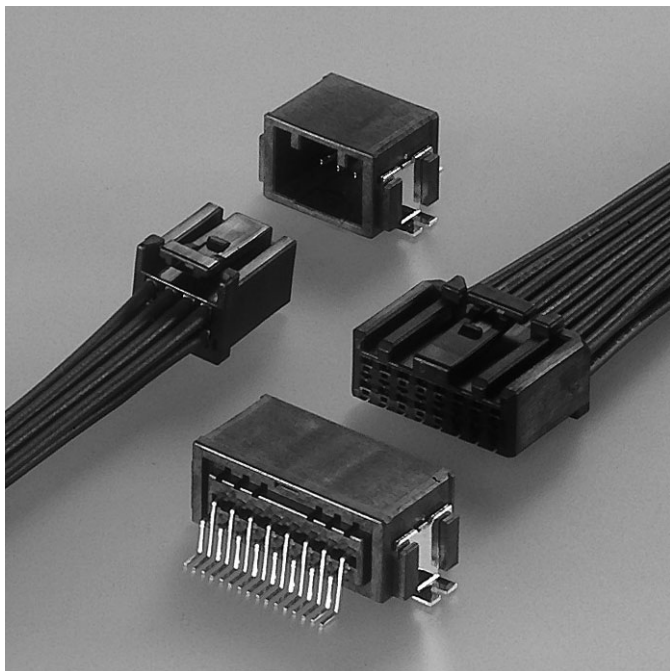


# CPT CONNECTOR

*Board-to-wire*



## Features

### ● Compact design

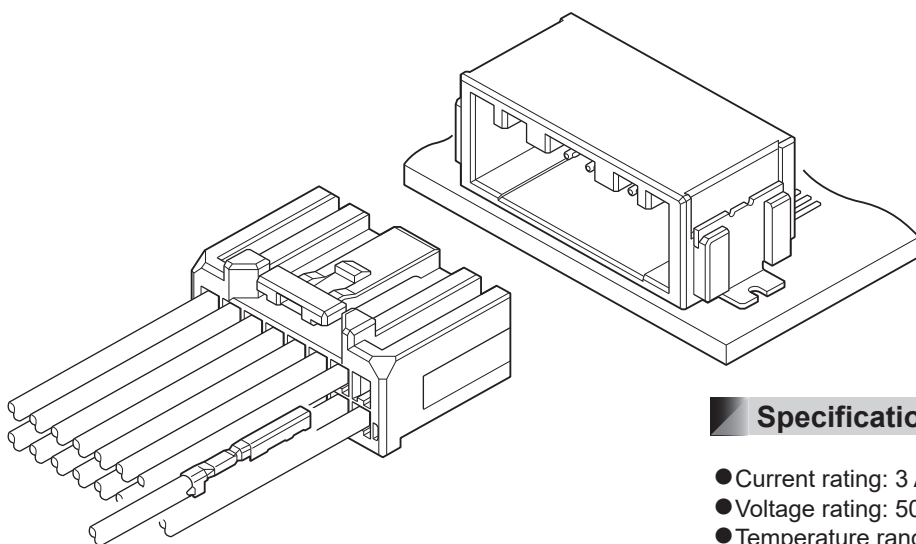
2.0 mm pitch is realized miniaturization and low profile as the connector for automobile.

### ● Terminal construction

Female terminal is designed for simple box structure by having spring structure on male terminal.

Developed in pursuit of miniaturization and low profile as PC board connector for automobile.

This connector is surface mounting type connector having the spring structure on male terminal disproving the conventional concept.



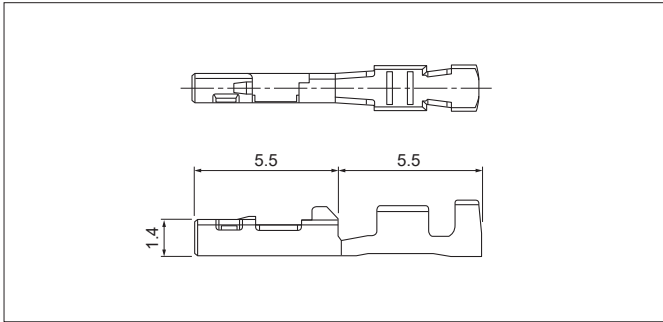
## Specifications

- Current rating: 3 A AC, DC (0.3 mm<sup>2</sup>, Single circuit)
- Voltage rating: 50 V AC, DC
- Temperature range: -40°C to +100°C  
(including temperature rise in applying electrical current)
- Contact resistance: Initial value/ 8 mΩ max.  
After environmental tests/ 16 mΩ max.
- Insulation resistance: 100 MΩ min.
- Withstanding voltage: 1,000 VAC/minute
- Applicable wire: AESSX-f/ AVSS  
0.3 mm<sup>2</sup>

\* Compliant with ELV/RoHS2.

\* Contact JST for details.

## Female terminal



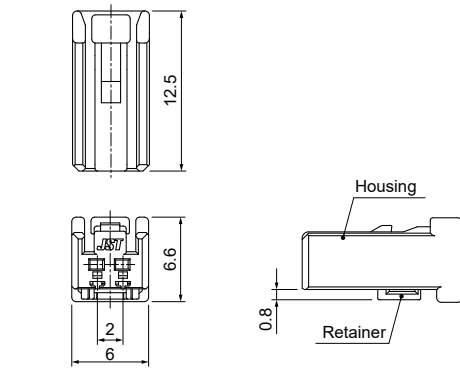
Model No.	Applicable wire range		Q'ty/reel
	Conductor (mm <sup>2</sup> )	Insulation O.D. (mm)	
<b>SCPT-A021GF-0.5</b>	0.3	1.4	15,000

Material and Finish
Brass, nickel-undercoated, Contact area; gold-plated Barrel area; tin-plated

## Female connector

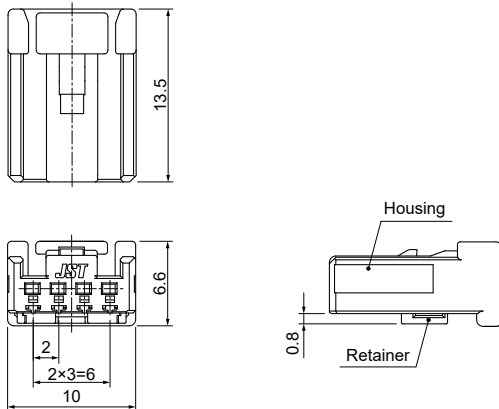
### Single row

#### ● 2 circuits

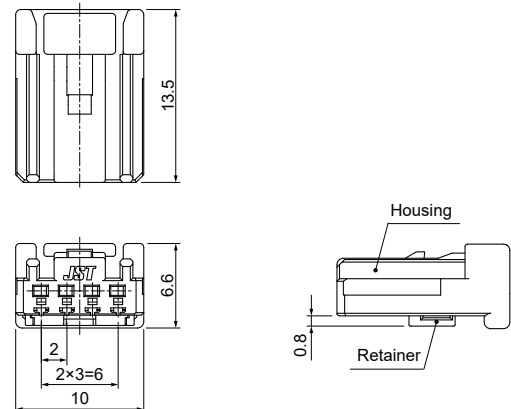


#### ● 4 circuits

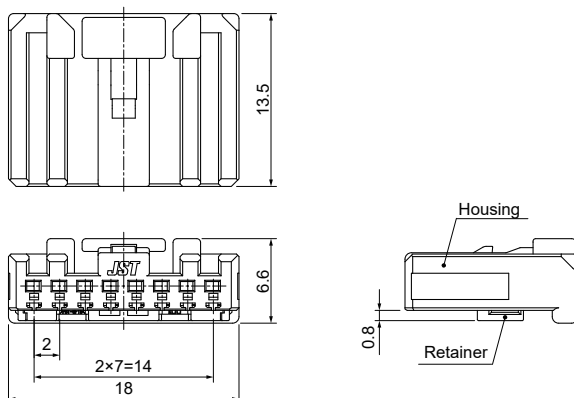
##### 04CPT-B1-2A



##### 04CPT-B1-2B



#### ● 8 circuits



Circuits	Model No.	Q'ty/box
2	<b>02CPT-B-2A</b>	500
4	<b>04CPT-B1-2A</b>	600
	<b>04CPT-B1-2B</b>	
8	<b>08CPT-B1-2A</b>	400

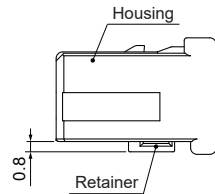
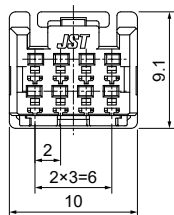
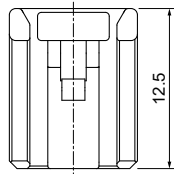
Material and Finish
Housing: Glass-filled PBT, Black Retainer: Glass-filled PBT, Blue

# CPT CONNECTOR

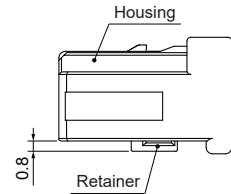
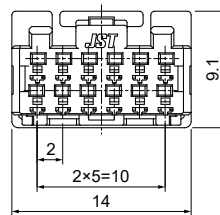
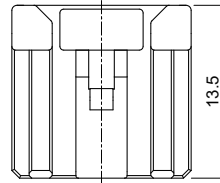
## Female connector

### Dual row

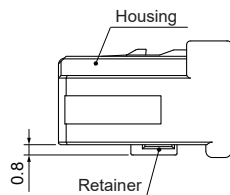
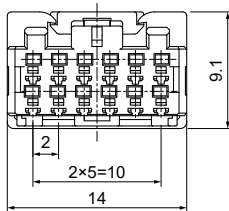
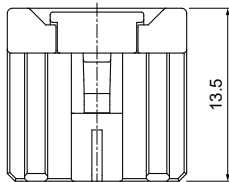
#### ● 8 circuits



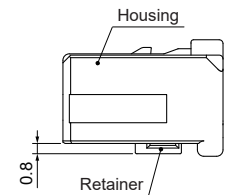
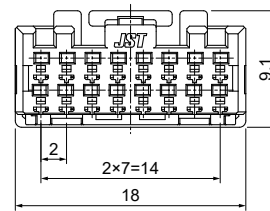
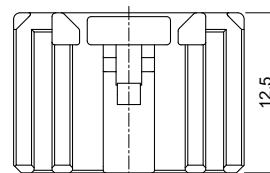
#### ● 12 circuits 12CPT-B-2A



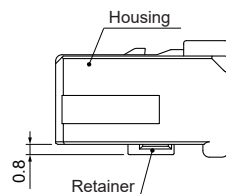
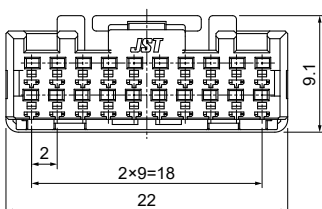
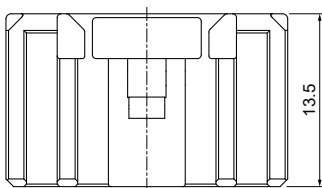
#### ● 12 circuits 12CPT-B-2A-FL



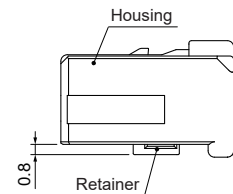
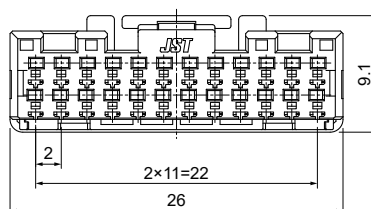
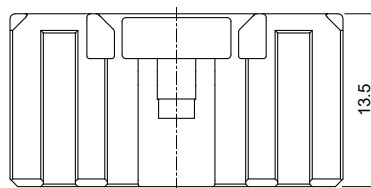
#### ● 16 circuits



#### ● 20 circuits



#### ● 24 circuits



Circuits	Model No.	Q'ty/box
8	<b>08CPT-B-2A</b>	500
12	<b>12CPT-B-2A</b>	300
	<b>12CPT-B-2A-FL</b>	
16	<b>16CPT-B-2A</b>	250
20	<b>20CPT-B-2A</b>	250
24	<b>24CPT-B-2A</b>	200

#### Material and Finish

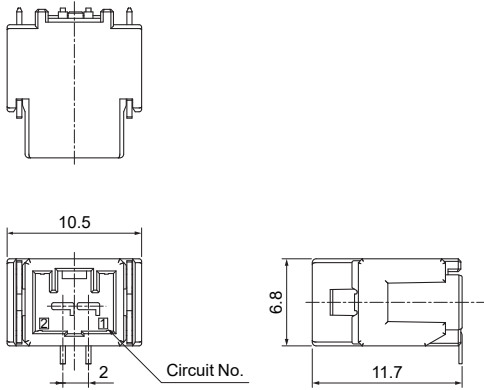
Housing: Glass-filled PBT, Black  
 Retainer: Glass-filled PBT, Blue

## Male connector

### Top entry type

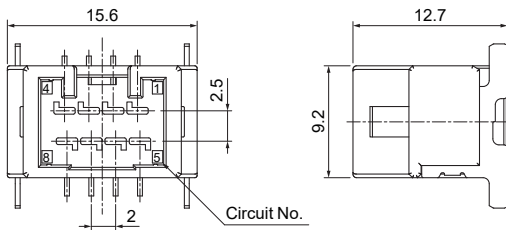
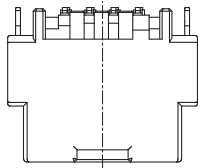
#### Single row

●2 circuits

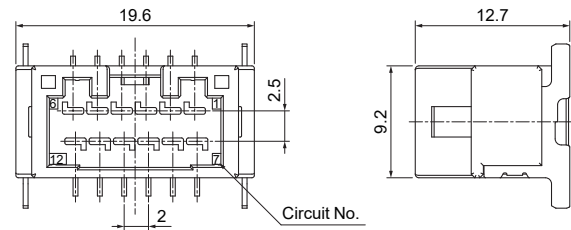
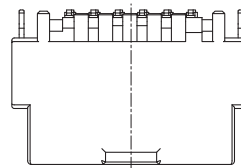


#### Dual row

●8 circuits



●12 circuits



Type	Circuits	Model No.	Q'ty/reel	
Top	Single row	2	<b>BM02B-CPTK-1A-TB</b>	370
	Dual row	8	<b>BM08B-CPTK-1A-TB</b>	240
		12	<b>BM12B-CPTK-1A-TB</b>	

#### Material and Finish

Terminal: Copper alloy, nickel-undercoated,  
 Contact area; gold-plated  
 Solder tail; tin-plated (reflow treatment)  
 Housing: Glass-filled LCP, Black  
 Peg: Brass, nickel-undercoated, tin-plated (reflow treatment)

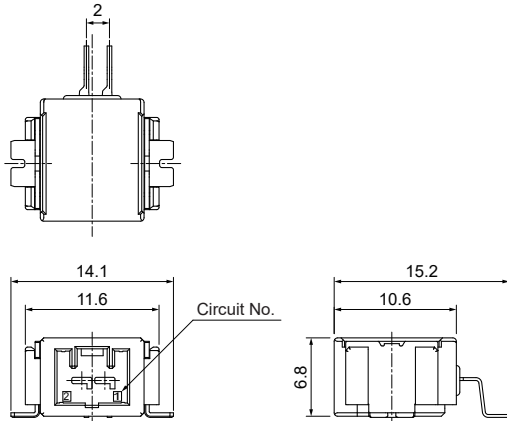
# CPT CONNECTOR

## Male connector

### Side entry type

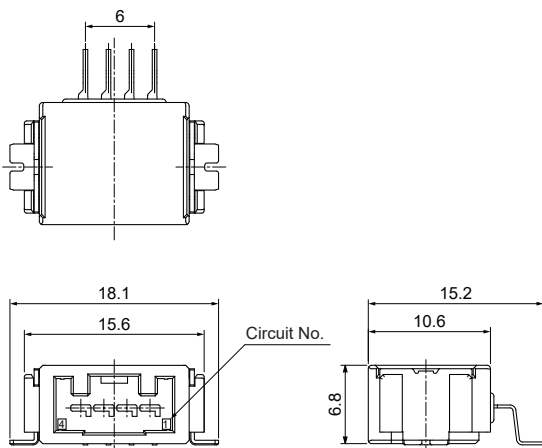
#### Single row

#### ● 2circuits

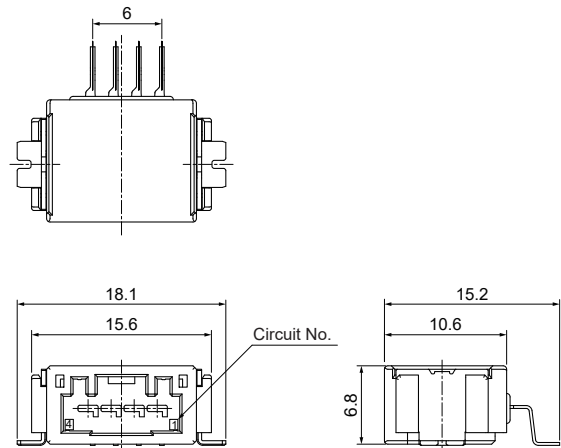


#### ● 4 circuits

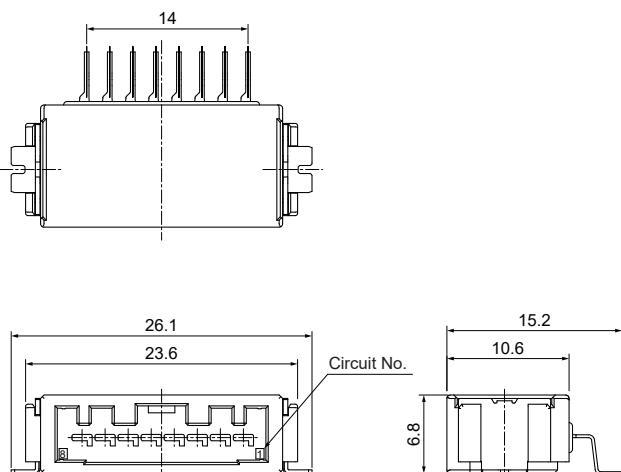
#### SM04B1-CPTK-1A-TB



#### SM04B1-CPTK-1B-TB



#### ● 8 circuits



Type	Circuits	Model No.	Q'ty/reel
Side	Single row	2	500
		4	
		8	

#### Material and Finish

Terminal: Copper alloy, nickel-undercoated,  
Contact area; gold-plated  
Solder tail; tin-plated (reflow treatment)

Housing: Glass-filled LCP, Black

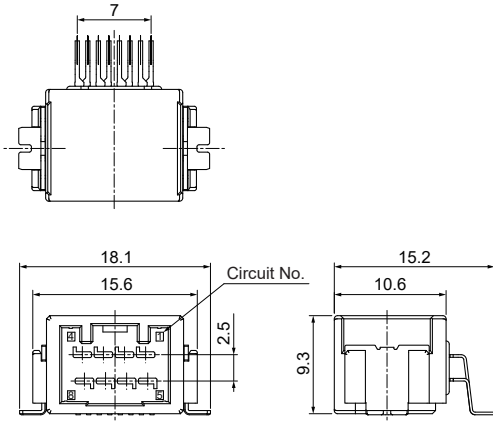
Peg: Brass, nickel-undercoated, tin-plated (reflow treatment)

## Male connector

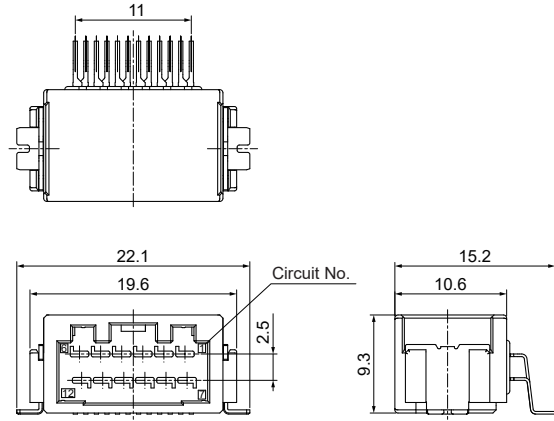
### Side entry type

#### Dual row

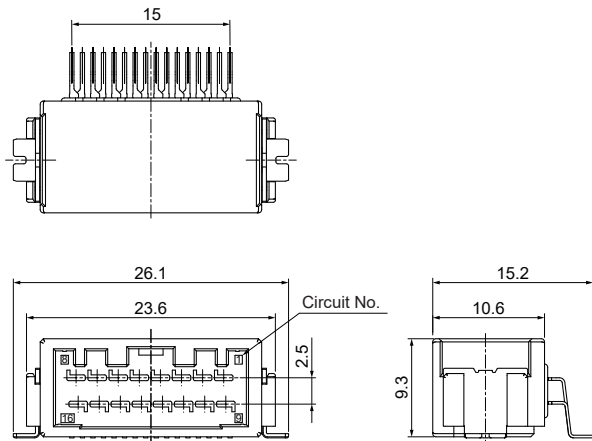
#### ● 8 circuits



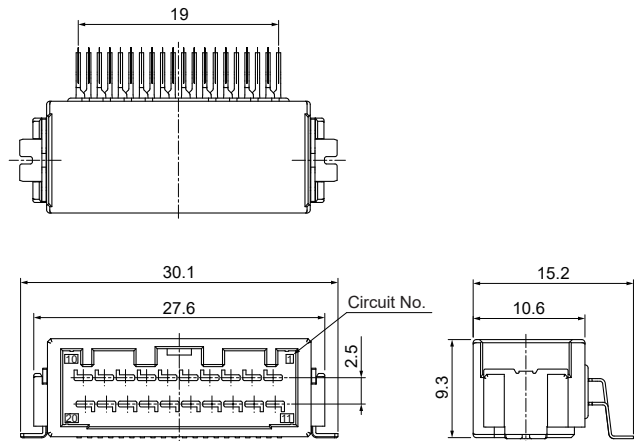
#### ● 12 circuits



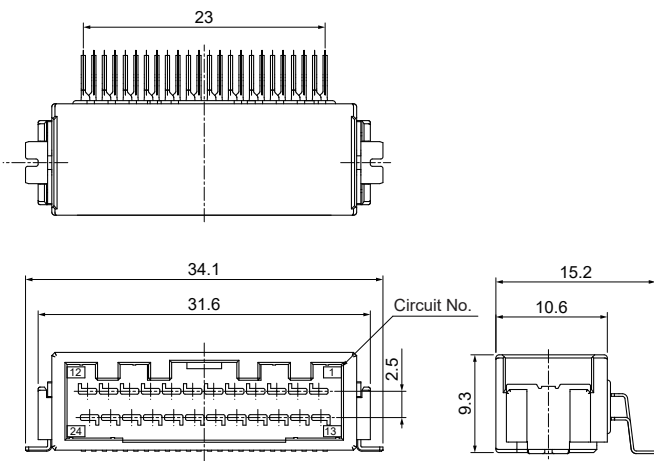
#### ● 16 circuits



#### ● 20 circuits



#### ● 24 circuits



Type	Circuits	Model No.	Q'ty/reel
Side	Dual row	8	390
		12	
		16	
		20	
		24	

#### Material and Finish

Terminal: Copper alloy, nickel-undercoated,  
Contact area; gold-plated  
Solder tail; tin-plated (reflow treatment)

Housing: Glass-filled LCP, Black

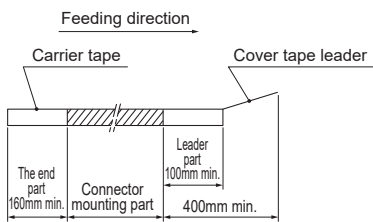
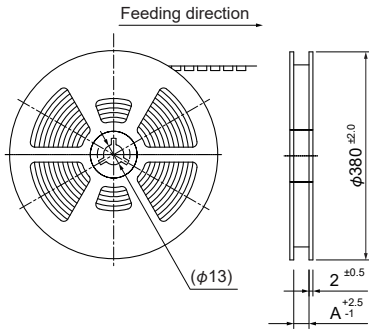
Peg: Brass, nickel-undercoated, tin-plated (reflow treatment)

# CPT CONNECTOR

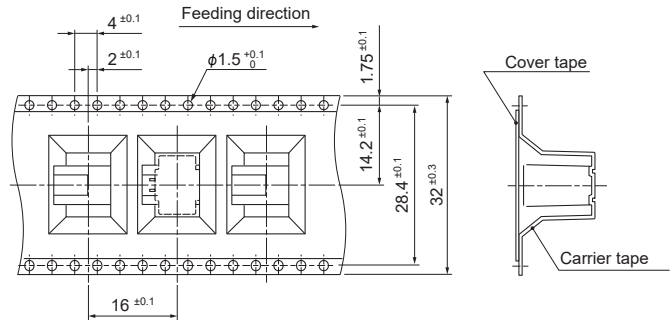
## Taping Specifications

### Top entry type

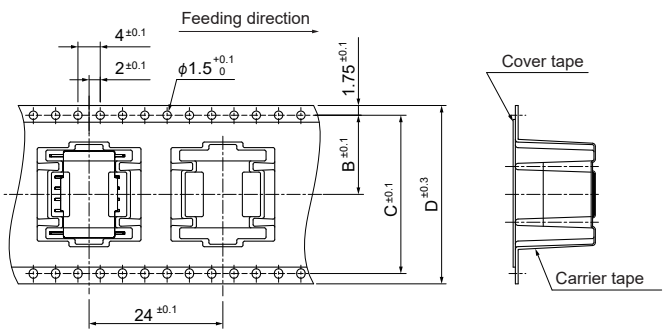
● 2, 8, 12 circuits



● 2 circuits



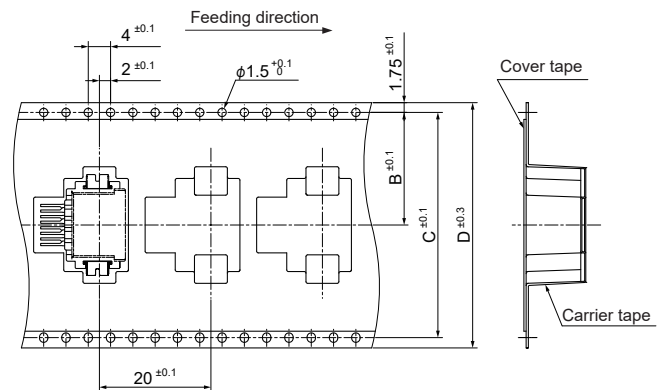
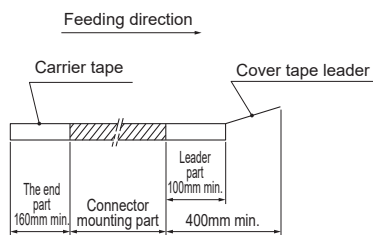
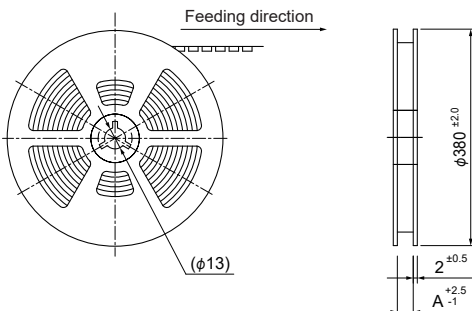
● 8, 12 circuits



Type	Circuits	A	B	C	D
Single row	2	33.5	—	—	—
Dual row	8	33.5	14.2	28.4	32
	12	45.5	20.2	40.4	44

### Side entry type

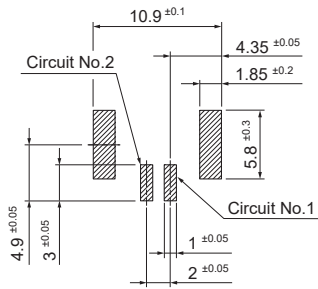
● 2, 4, 8, 12, 16, 20, 24 circuits



Type	Circuits	A	B	C	D
Single row	2	33.5	14.2	28.4	32
	4	33.5	14.2	28.4	32
	8	45.5	20.2	40.4	44
Dual row	8	45.5	20.2	40.4	44
	12	45.5	20.2	40.4	44
	16	45.5	20.2	40.4	44
	20	45.5	20.2	40.4	44
	24	57.5	26.2	52.4	56

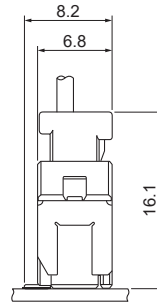
## PC board layout, Assembly layout

Top entry type  
 PC board layout  
 Single row  
 ●2 circuits

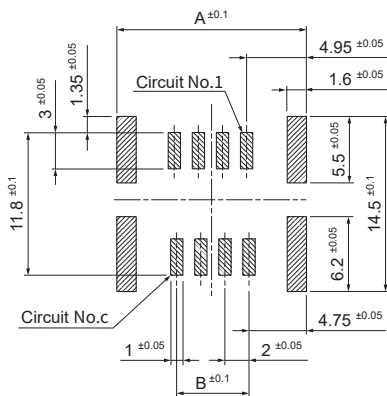


Assembly layout

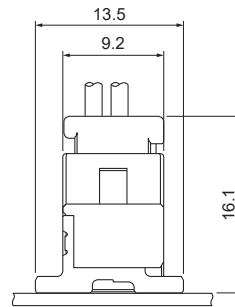
●2 circuits



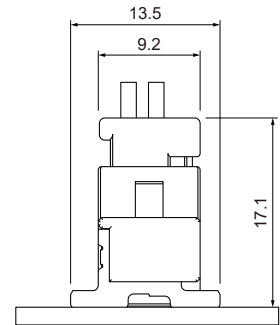
Dual row  
 ●8, 12 circuits



●8 circuits



●12 circuits



Circuits	A	B
8	15.7	6
12	19.7	10

Note: 1. Tolerances are non-cumulative:  $\pm 0.05$  mm for all centers.  
 2. The dimensions above should serve as guideline. Contact JST for details.

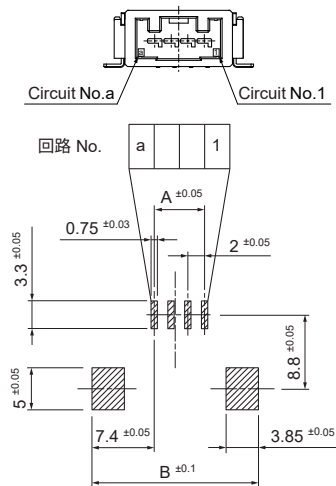


# CPT CONNECTOR

## PC board layout, Assembly layout

### Side entry type PC board layout Single row

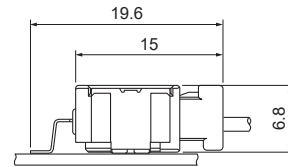
#### ●2, 4, 8 (Single) circuits



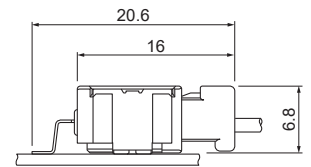
Circuits	A	B
2	2	15.8
4	6	19.8
8 (Single)	14	27.8

### Assembly layout

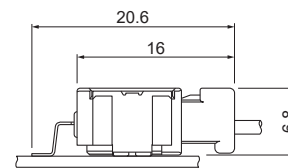
#### ●2 circuits



#### ●4 circuits

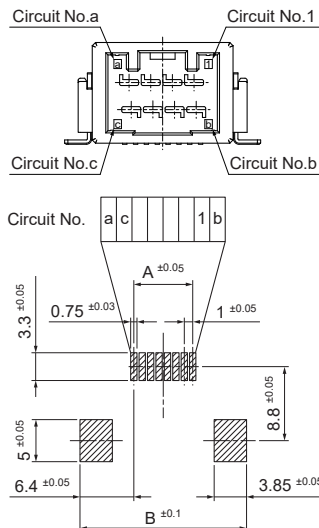


#### ●8 (Single) circuits



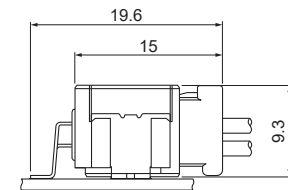
### Dual row

#### ●8 (Dual), 12, 16, 20, 24 circuits

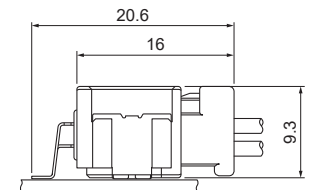


Circuits	A	B
8 (Dual)	7	19.8
12	11	23.8
16	15	27.8
20	19	31.8
24	23	35.8

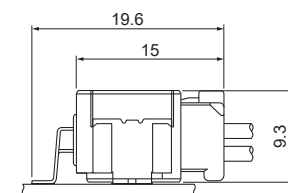
#### ●8 (Dual) circuits



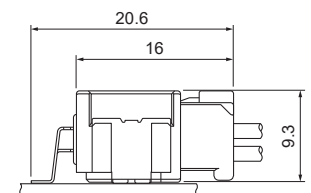
#### ●12 circuits



#### ●16 circuits



#### ●20, 24 circuits



Note: 1. Tolerances are non-cumulative:  $\pm 0.05$  mm for all centers.  
2. The dimensions above should serve as guideline. Contact JST for details.

## Crimping machine, Applicator

Strip terminal	Crimping machine	Crimp applicator MKS-L	
		Dies	Crimp applicator with dies
SCPT-A021GF-0.5	AP-K2N	MK/SCPT-A021-05	APLMK SCPT-A021-05

Note: When crimping operation is conducted using an applicator and die set other than the above, JST cannot guarantee the performance of the terminal.

# Mouser Electronics

Authorized Distributor

Click to View Pricing, Inventory, Delivery & Lifecycle Information:

## JST:

[02CPT-B-2A](#) [BM08B-CPTK-1A-TB](#) [SM02B-CPTK-1A-TB](#) [SM12B-CPTK-1A-TBL](#) [SM08B-CPTK-1A-TBL](#) [04CPT-B1-2A](#) [16CPT-B-2A](#) [BM02B-CPTK-1A-TB](#) [SM16B-CPTK-1A-TBL](#) [20CPT-B-2A](#) [12CPT-B-2A](#) [SM04B1-CPTK-1A-TB](#) [SM20B-CPTK-1A-TBL](#) [08CPT-B-2A](#) [SCPT-A021GF-0.5](#) [24CPT-B-2A](#) [SM24B-CPTK-1A-TB\(L\)](#) [SM04B1-CPTK-1B-TB](#)