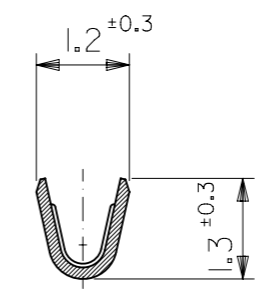
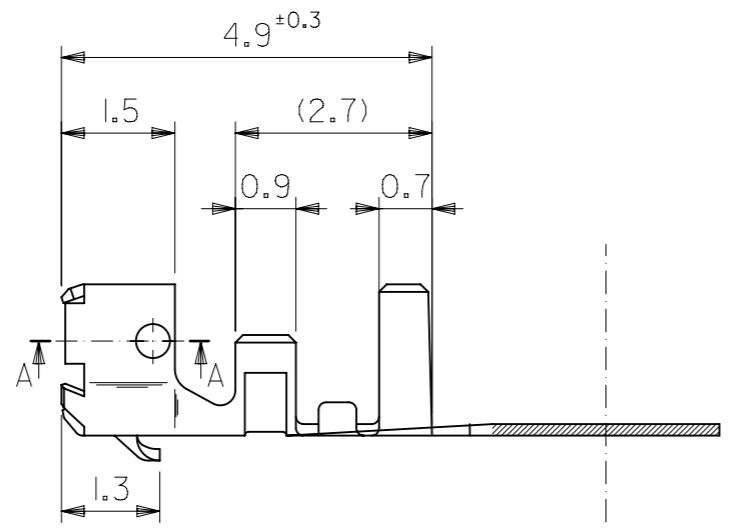
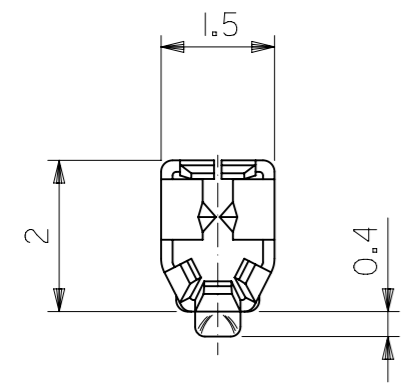
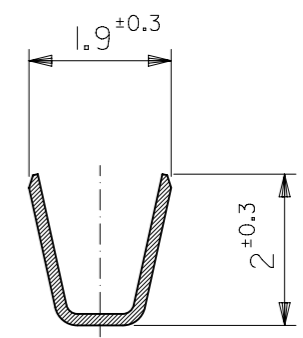


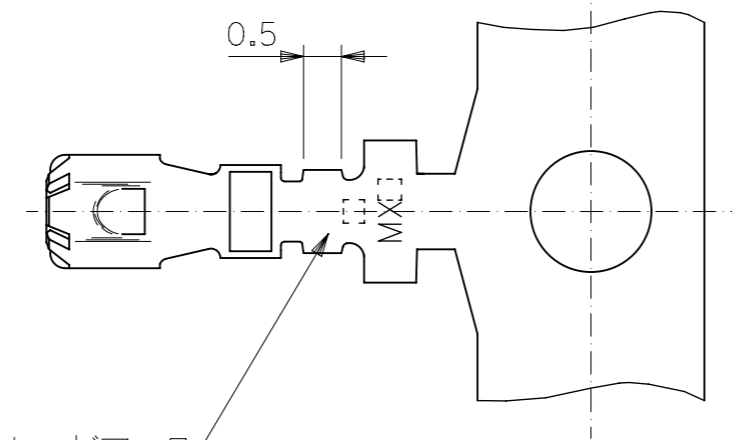
SECT.A-A
(SCALE 20:1)



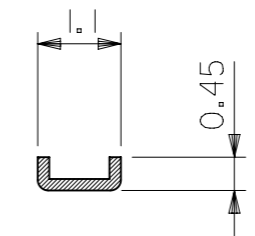
SECT.B-B



SECT.D-D



トレードマーク
TRADE MARK



SECT.C-C

注記
NOTE

1. 適用ハウジング : 51004, 51049 シリーズ
APPLICABLE HOUSING : 51004, 51049 SERIES

材料 MATERIAL	リン青銅 錫メッキ (t=0.15) PHOS.BRO. PRE-TINNED (t=0.15)
仕上げ FINISH	—#—
適用電線範囲 WIRE RANGE	AWG #24~#30
被覆外径 INS. RANGE	φ0.8~φ1.4

角度 ANGLE	±3°
30 以上 OVER	±0.3
10 以上 30 未満 OVER UNDER	±0.25
10 未満 UNDER	±0.2
一般公差 GENERAL TOLERANCES	

THIS DRAWING CONTAINS INFORMATION THAT IS PROPRIETARY TO MOLEX ELECTRONIC TECHNOLOGIES, LLC AND SHOULD NOT BE USED WITHOUT WRITTEN PERMISSION	
DIMENSION UNITS mm	SCALE 10:1
CURRENT REV DESC:	
GENERAL TOLERANCES (UNLESS SPECIFIED)	
4 PLACES ±	±
3 PLACES ±	±
2 PLACES ±	±
1 PLACE ±	±
0 PLACES ±	±
ANGULAR TOL ± °	± °
DRAFT WHERE APPLICABLE MUST REMAIN WITHIN DIMENSIONS	
THIRD ANGLE PROJECTION	
EC NO: 624461	DRWN: AKUMAR19 2019/01/29
CHK'D: GGA	2019/10/17
APPR: GGA	2019/10/17
INITIAL REVISION:	
DRWN: T.YASUI	1995/08/21
APPR: M.FUKUSHIMA	1995/08/22
DRAWING SERIES	
A3-SIZE	50011
MATERIAL NUMBER CUSTOMER	
SEE TABLE	GENERAL MARKET
DOCUMENT NUMBER DOC TYPE DOC PART REVISION	
SD-50011-8X00	PSD 001 J
SHEET NUMBER	
1 OF 1	

50011-8000	連鎖状 CHAIN
ENG. NO.	端子形状 FORM

molex

2.0 LOW PROFILE
CRIMP REC

PRODUCT CUSTOMER DRAWING